

YANDELL ROAD

HAMPTON HILLS
BLVD

6" SQUARE TUBE GATE POST WITH PHOTO EYES INSTALLED
4- MAX MEGATRON 2200 PRO LOW PROFILE GATE OPERATORS
BATTERY BACK UP

BLACK REFLECTIVE DIAMOND CUT TAPE ON
APPROACH SIDE OF GATES

"PULL HERE FOR ACCESS" SIGN
12"X15" MIN. WHITE ON BROWN

6" SQUARE TUBE GATE POST WITH PHOTO EYES INSTALLED

Free Entry Loop

FIRE BOX SIREN OPERATED SYSTEM
4- MAX MEGATRON 2200 PRO LOW PROFILE GATE OPERATORS
BATTERY BACK UP

"BE PREPARED TO STOP" SIGN
36"X36" BLACK ON YELLOW

"PUSH HERE FOR ACCESS" SIGN
CONTROL BOX WITH PUSH BUTTON
WHITE PAINTED STOP BAR

WHITE PAINTED STOP BAR

"PULL HERE FOR EXIT" SIGN
12"X15" MIN. WHITE ON BROWN

"BE PREPARED TO STOP" SIGN
36"X36" BLACK ON YELLOW

EXISTING GUARD HOUSE

100'0"

GATE SWINGING

Free Exit Loop

"PULL HERE FOR EXIT" SIGN
12"X15" MIN. WHITE ON BROWN

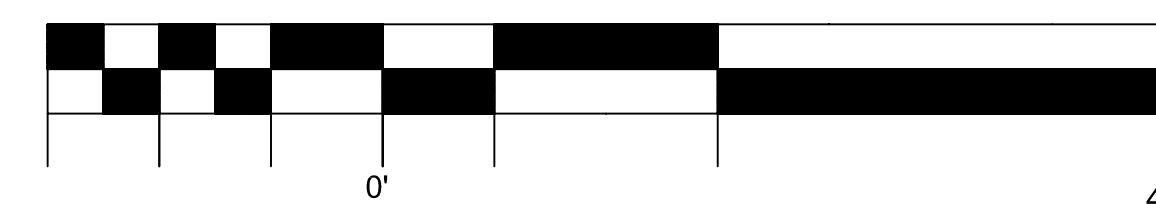
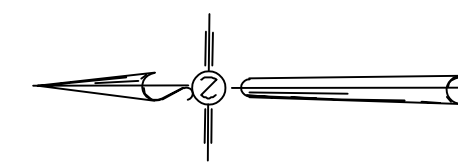
CONTROL BOX WITH PUSH BUTTON
"PUSH HERE FOR EXIT" SIGN

EXISTING SIGNAGE WALL

21'-11 1/2"
GATE SWINGING

BLACK REFLECTIVE DIAMOND CUT TAPE ON
APPROACH SIDE OF GATES

EXISTING GUARD HOUSE



ENTRY GATE PLAN

Graphic Scale
1"=10'-0"

PPLS

TERRY POWELL
LANDSCAPE ARCHITECT

197 Ashton Park Boulevard
Madison, MS 39110

601-853-9046

TPOWELL6@comcast.net

Powell Place Landscape Services, Inc.

REVISIONS

NO.	DATE	ISSUE

Hampton Hills Entrance
Madison County, MS

TITLE:

DATE: 11/29/21

JOB NO.:

DRAWN BY: TRP

CHECKED:

SHEET:

REVISIONS

NO.	DATE	ISSUE

Hampton Hills Entrance
Madison County, MS

TITLE:

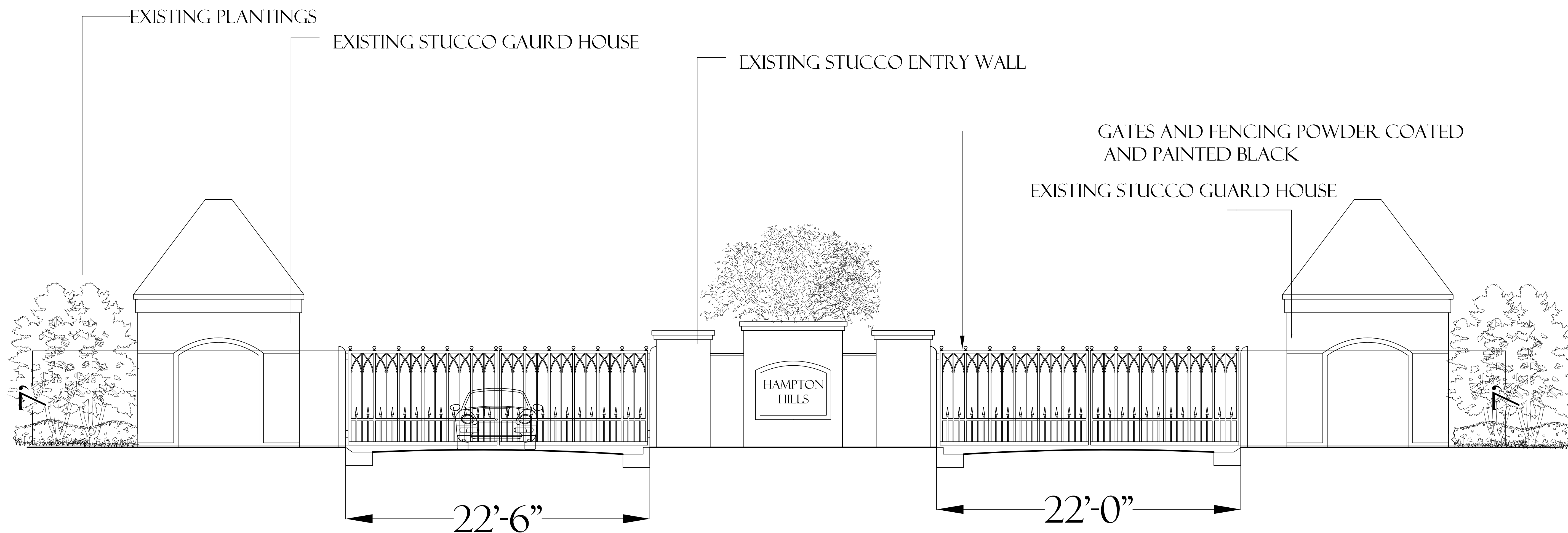
DATE: 11/29/21

JOB NO.:

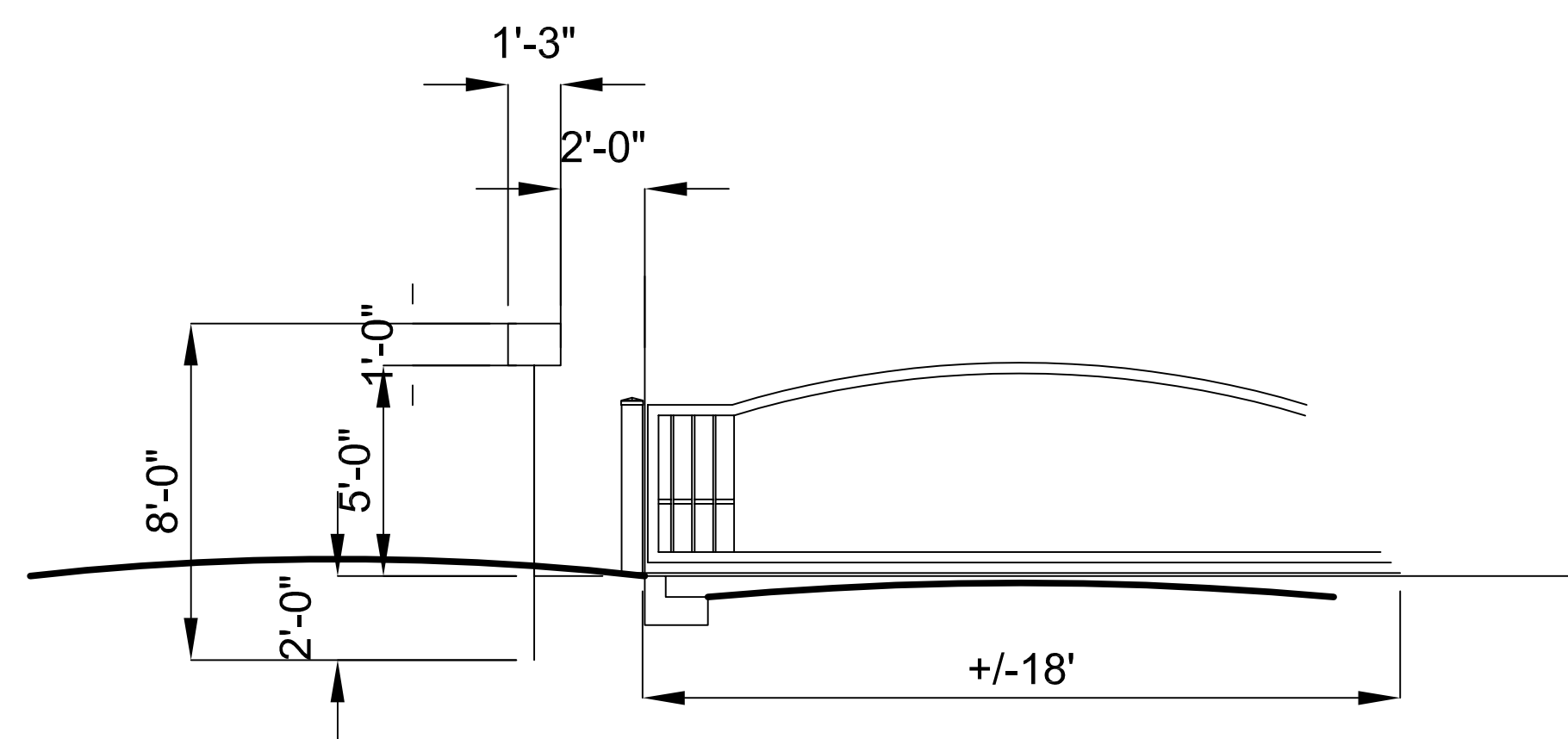
DRAWN BY: TRP

CHECKED:

SHEET:

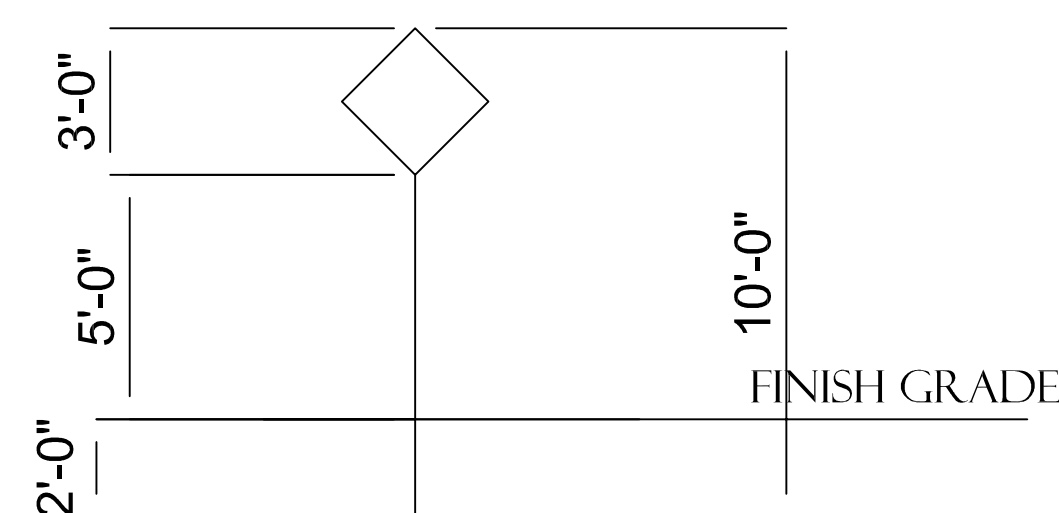


FRONT ELEVATION



TYPICAL SIGN
CLEARANCE

NOTE:
ALL SIGNS TO BE INSTALED BY PERMITEE, NOT COUNTY
ALL SIGNS TO BE HIGH INTENSITY SHEETING ON 0.125" BLANKS
ALL SIGN POSTS TO MATCH THE EXISTING DECORATIVE SIGN POST IN HAMPTON HILLS
CONTRACTOR TO PERFORM FEILD MEASUREMEMENTS FOR SHOP DRAWING



ENTRY GATE ELEVATION